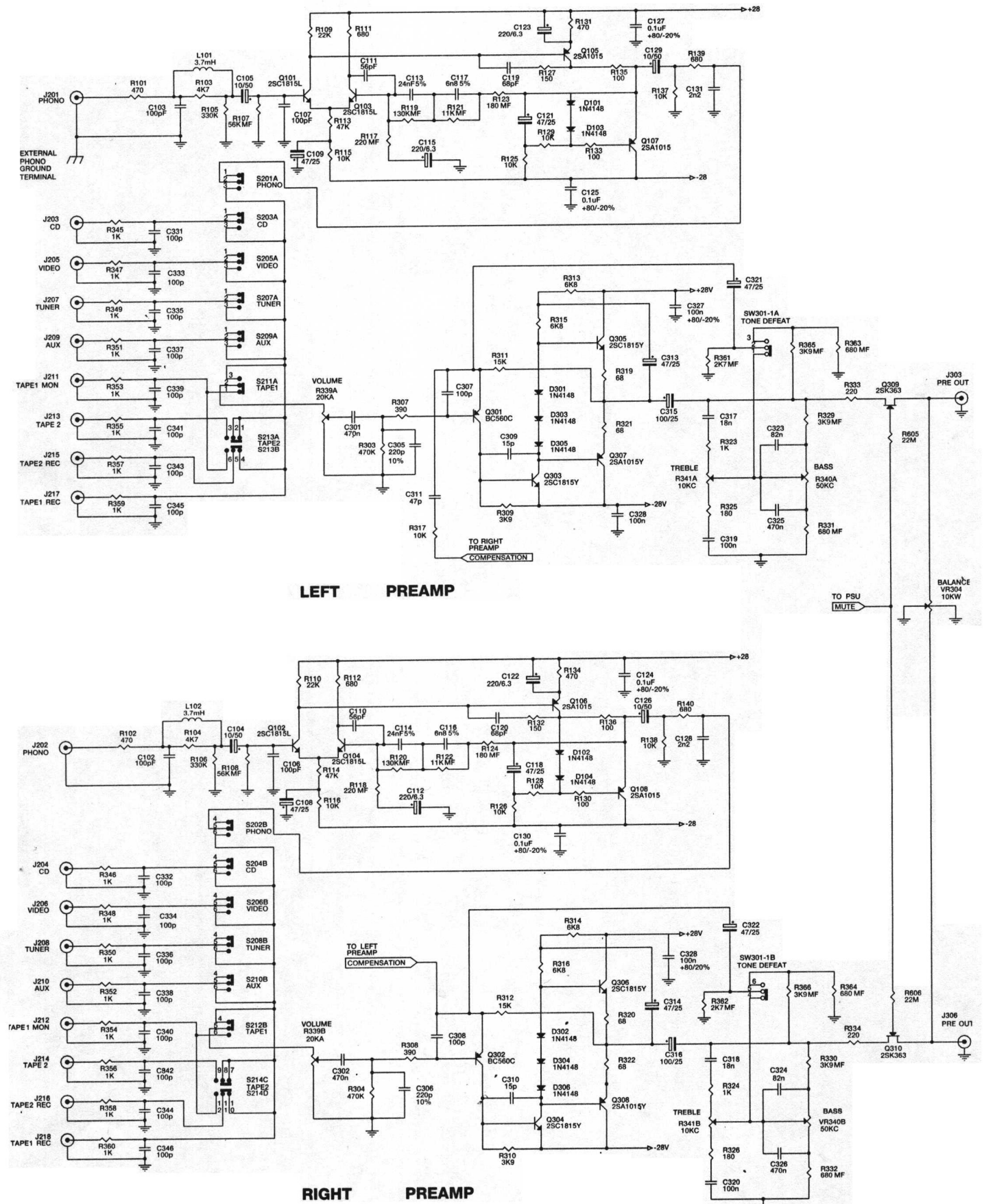


# SCHEMATIC DIAGRAM

## PREAMP



LEFT PREAMP

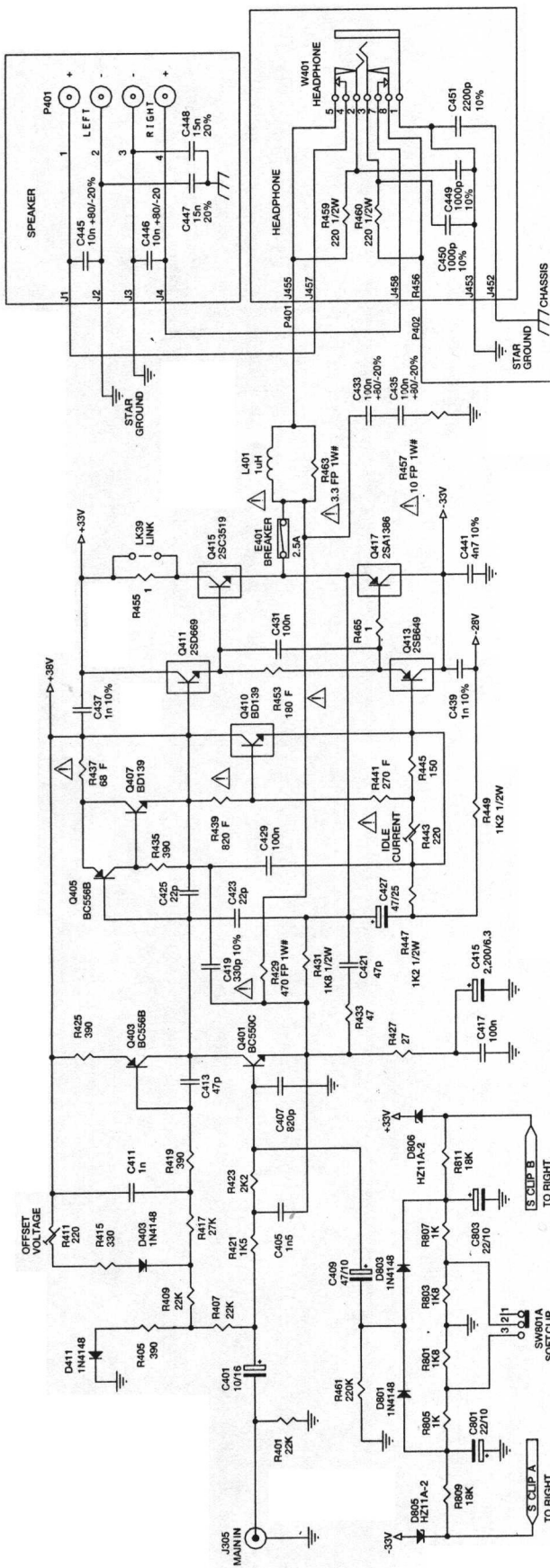
RIGHT PREAMP

NOTE: 1. RESISTORS, UNLESS OTHERWISE SPECIFIED ARE 1/4W.  
 2. ALL CERAMIC CAPACITORS, UNLESS OTHERWISE SPECIFIED ARE 50V, 5%.

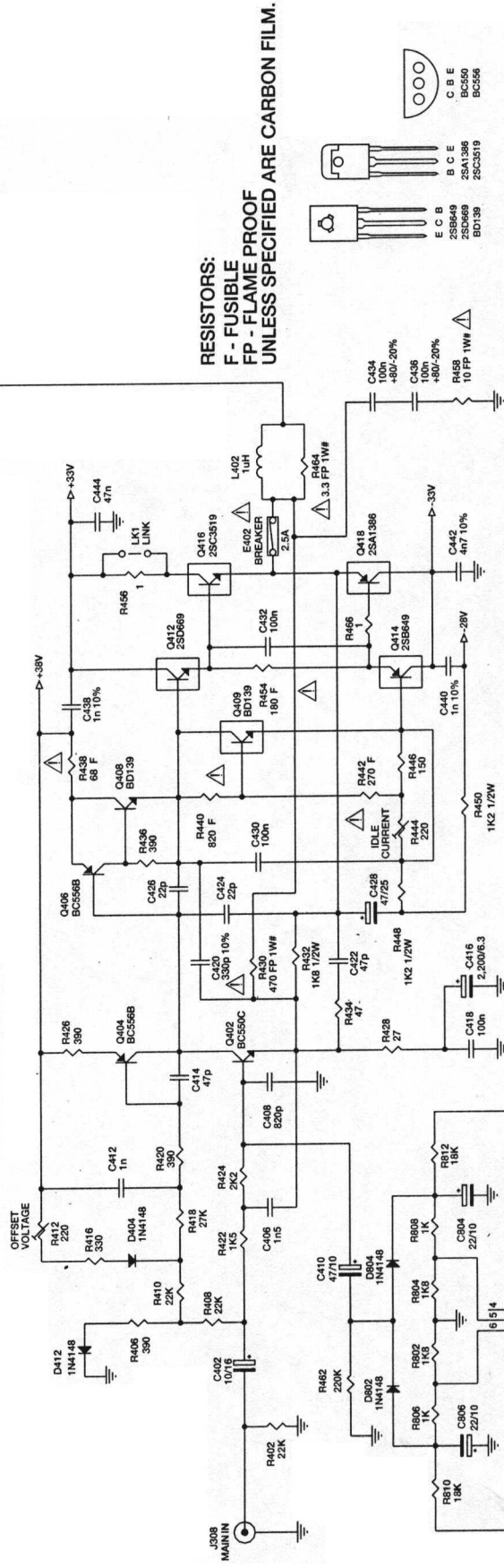
RESISTORS:  
 MF - METAL FILM  
 UNLESS SPECIFIED  
 ARE CARBON FILM.



# POWER AMPLIFIER

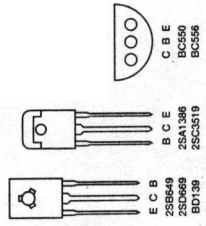


LEFT POWER AMP



RIGHT POWER AMP

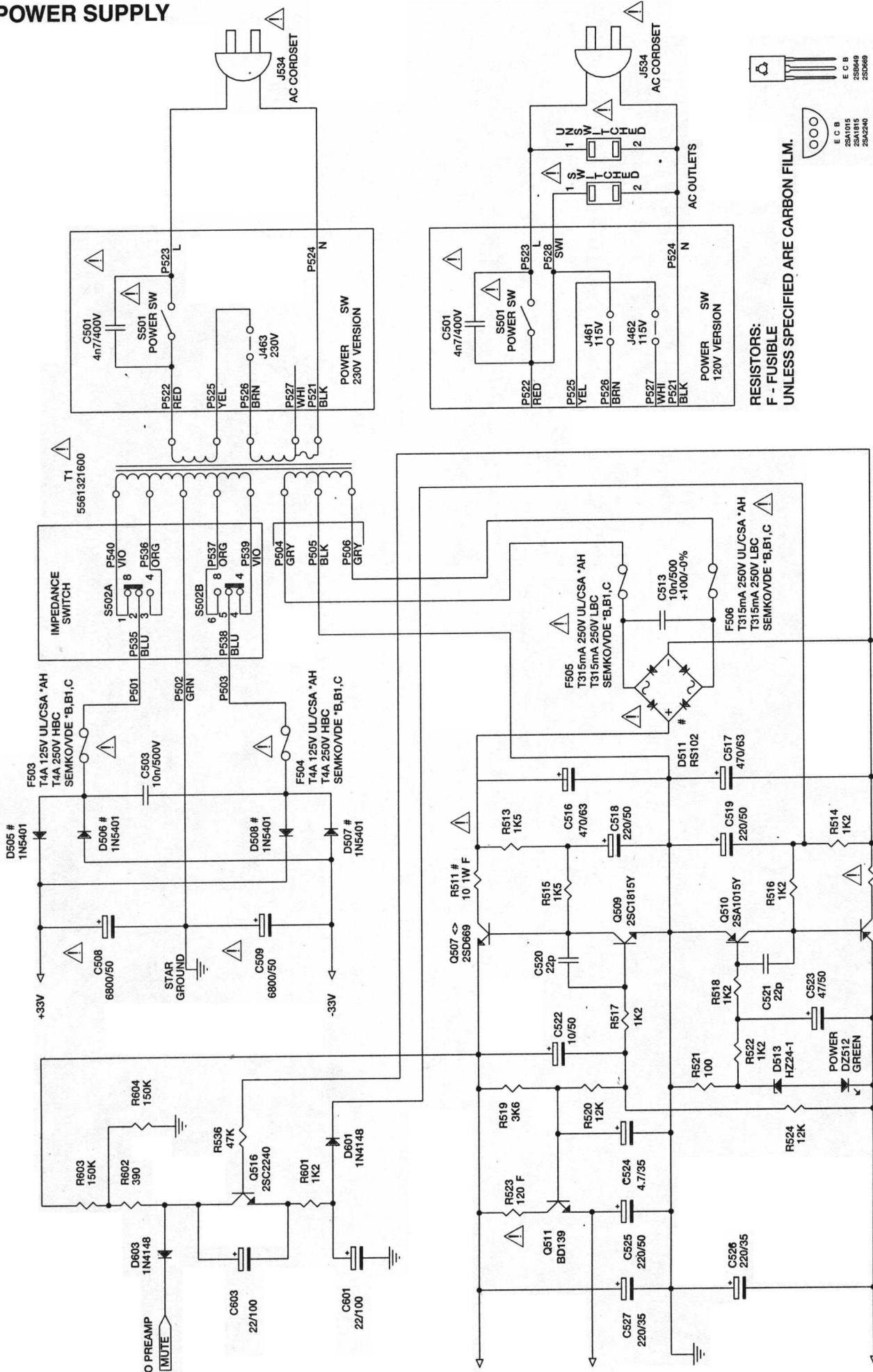
RESISTORS:  
 F - FUSIBLE  
 FP - FLAME PROOF  
 UNLESS SPECIFIED ARE CARBON FILM.



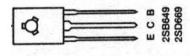
E C B	25D669	25A1386	BC550
B C E	25D669	25A1386	BC550
	BD139	25C3519	BC556

- NOTE: 1. RESISTORS, UNLESS OTHERWISE SPECIFIED ARE 1/4W.  
 2. ALL CERAMIC CAPACITORS, UNLESS OTHERWISE SPECIFIED ARE 50V, 5%.  
 3. BLOCKED TRANSISTORS ARE MOUNTED ON MAIN HEATSINK.  
 4. COMPONENTS MARKED WITH "Δ" ARE SAFETY CRITICAL PART  
 5. COMPONENTS MARKED WITH "# " ARE ELEVATED FROM PCB.

# POWER SUPPLY



- NOTE: 1. RESISTORS, UNLESS OTHERWISE SPECIFIED ARE 1/4W.  
 2. ALL CERAMIC CAPACITORS, UNLESS OTHERWISE SPECIFIED ARE 50V, 5%.  
 3. COMPONENTS MARKED WITH "△" ARE SAFETY CRITICAL PARTS.  
 4. COMPONENTS MARKED WITH " # " ARE ELEVATED FROM PCB.  
 5. COMPONENTS MARKED WITH " <-> " ARE MOUNTED ON SMALL HEATSINK.



RESISTORS:  
 F - FUSIBLE  
 UNLESS SPECIFIED ARE CARBON FILM.



RESISTORS:  
 E C B  
 2SA1015  
 2SA1815  
 2SB649  
 2SD669

## POWER SUPPLY